

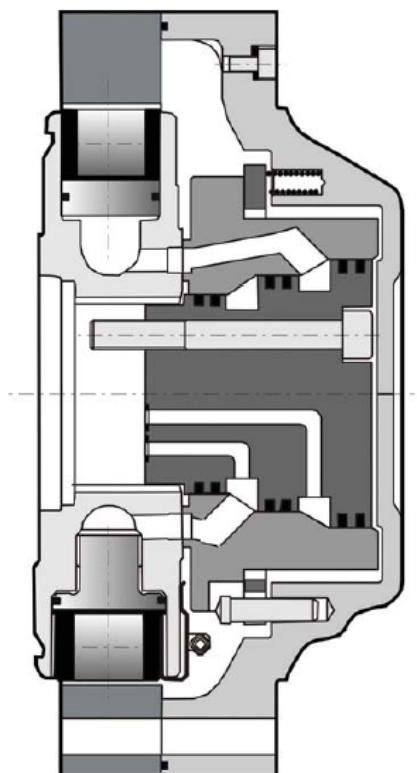


MF MOTORS



MF08-MFE08. HYDROBASES.

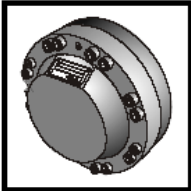
CHARACTERISTICS



Motor inertia = 0.05 kg.m²

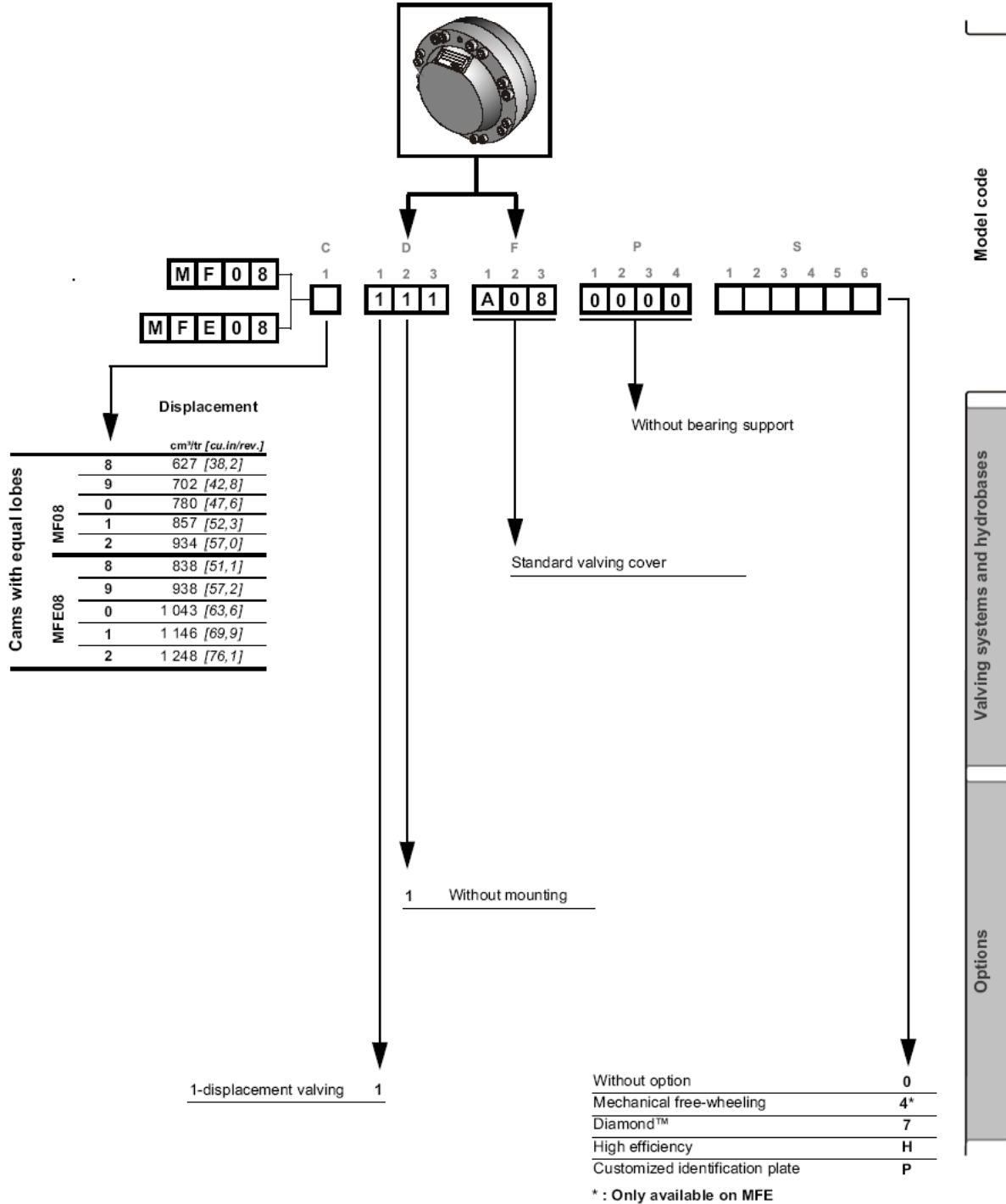
	C	Displacement cm ³ /tr [cu.in./rev.]	Theoretical torque		Max.power kW [HP]	Max. speed tr/min[RPM]	Freewheeling- Max. speed	Max. pressure bar [PSI]
			at 100 bar					
			Nm	at 1000 PSI [lb.ft]				
Cams with equal lobes	MF08	8	627 [38,2]	997 [507]	41 [55]	150	1000	450 [6 530]
		9	702 [42,8]	1116 [568]		134		
		0	780 [47,6]	1240 [631]		121		
		1	857 [52,3]	1363 [693]		110		
		2	934 [57,0]	1485 [755]		101		
	MFE08	8	838 [51,1]	1332 [678]	41 [55]	112	1000	400 [5 800]
		9	938 [57,2]	1491 [758]		100		
		0	1 043 [63,6]	1658 [843]		90		
		1	1 146 [69,9]	1822 [927]		82		
		2	1 248 [76,1]	1984 [1 009]		75		

CONTENT

	MODEL CODE	5	Model code
	VALVING SYSTEM AND HYDROBASES Dimensions for 1-displacement valving Cylinder block splines	7 7 8	Valving systems and hydrobases
	OPTIONS	9	Options



MODEL CODE



Methodology :

This document is intended for manufacturers of machines that incorporate Poclain Hydraulics products. It describes the technical characteristics of Poclain Hydraulics products and specifies installation conditions that will ensure optimum operation. This document includes important comments concerning safety. They are indicated in the following way:



Safety comment.

This document also includes essential operating instructions for the product and general information. These are indicated in the following way:



Essential instructions.



General information .



Information on the model number. Information on the model code.



Weight of component without oil.



Volume of oil.



Units.



Tightening torque.



Screws.



Information intended for Poclain-Hydraulics personnel.

The views in this document are created using metric standards.

The dimensional data is given in mm and in inches (inches are between brackets and italic)

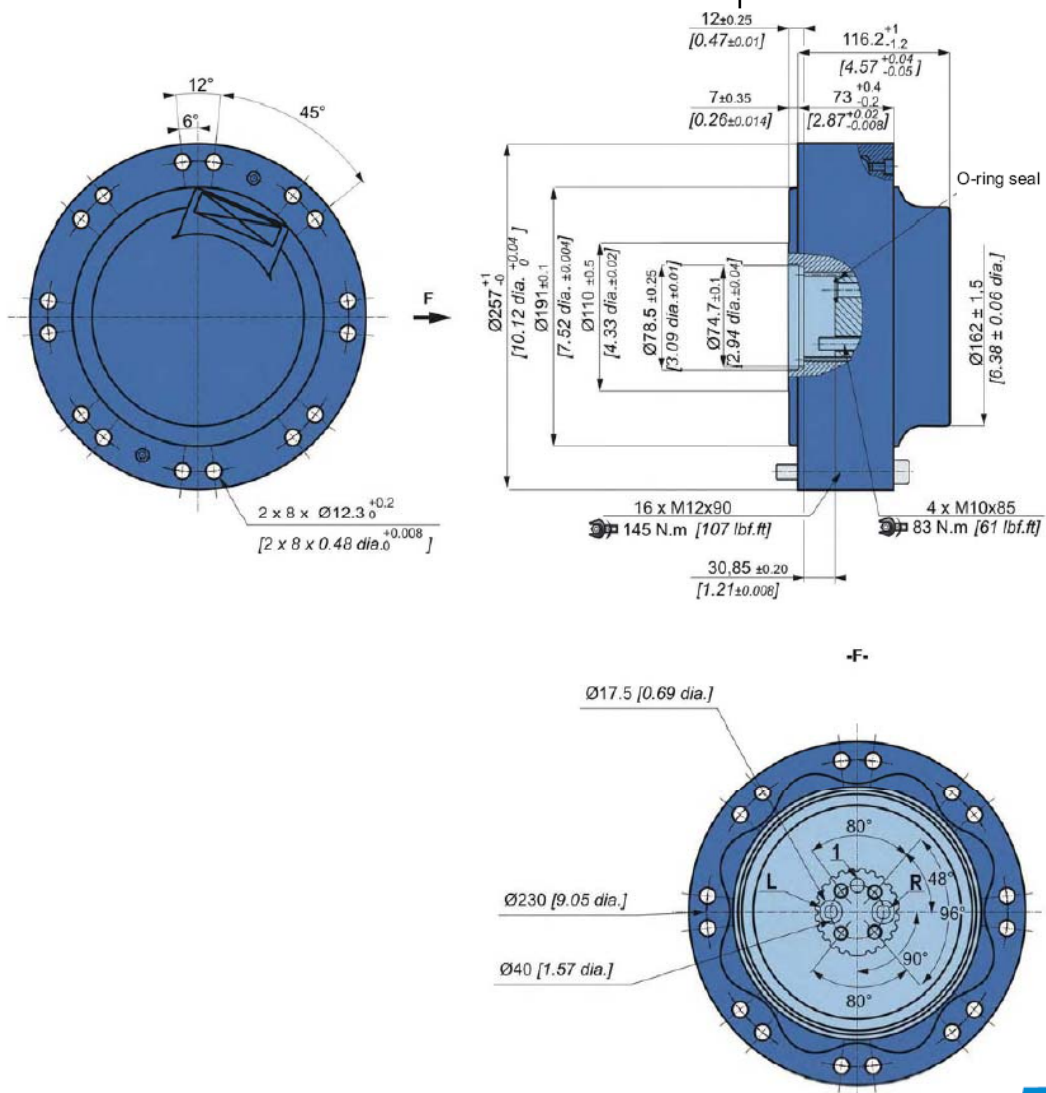


VALVING SYSTEM AND HYDROBASES



Dimensions for 1-displacement valving

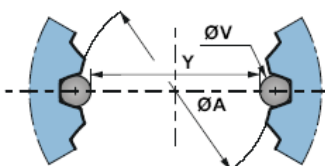
29,0 kg [64 lb]
0,50 L [30 cu.in]



Cylinder block splines

(as per standard NF E22-141)

Nominal Ø. mm [in]	ØA mm [in]	Module	Z	Dimension on 2 pins	
				Y mm [in]	ØV mm [in]
65,0 [2,559]	60,0 [2,362]	2,5	24	55,169 [2,172]	5,0 [0,197]

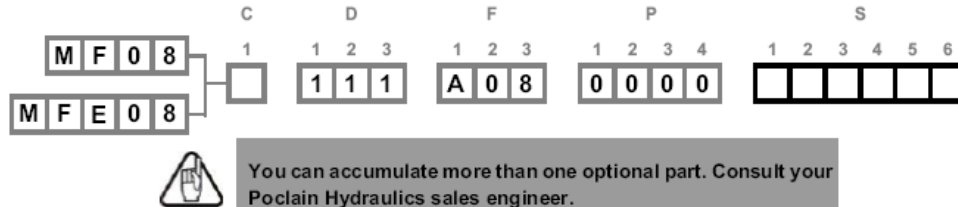



You are advised to have the installation validated by your Poclair Hydraulics application engineer before using the hydraulic unit in an application.



We must provide you with a detailed plan of the interface for any hydraulic unit use, consult your Poclair Hydraulics sales engineer.

OPTIONS



4 - Mechanical Free-Wheeling

This option allows the pistons to return to their bores when there is no pressure in the supply lines. Only available on MFE.

7 - Diamond™

Special treatment of the motor core which considerably increases its strength, making the motor much more tolerant to temporary instances of the operating conditions being exceeded.

H - High efficiency

Reinforced piston sealing to improve volumetric efficiency.



For a precise calculation, consult your Poclairn Hydraulics application engineer.

P - Customized identification plate

Your part number can be engraved on the plate.



Consult your Poclairn Hydraulics application engineer for other possibilities.