



POWER TRANSMISSION VALVES



VE10. EXCHANGE VALVES.

EXCHANGE VALVES VE10

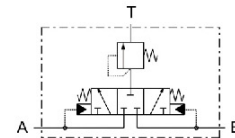
- Compact
- Heavy duty



Operation

Exchange valves are for use in bleeding hot oil from the low pressure side of a hydrostatic transmission circuit. The hot oil can be cooled, filtered or used as a source of oil for flushing other pump and motor case.

Hydraulic symbol

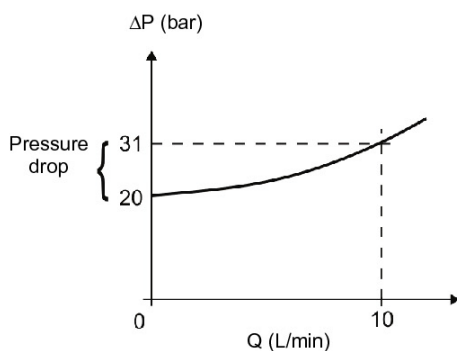


Features

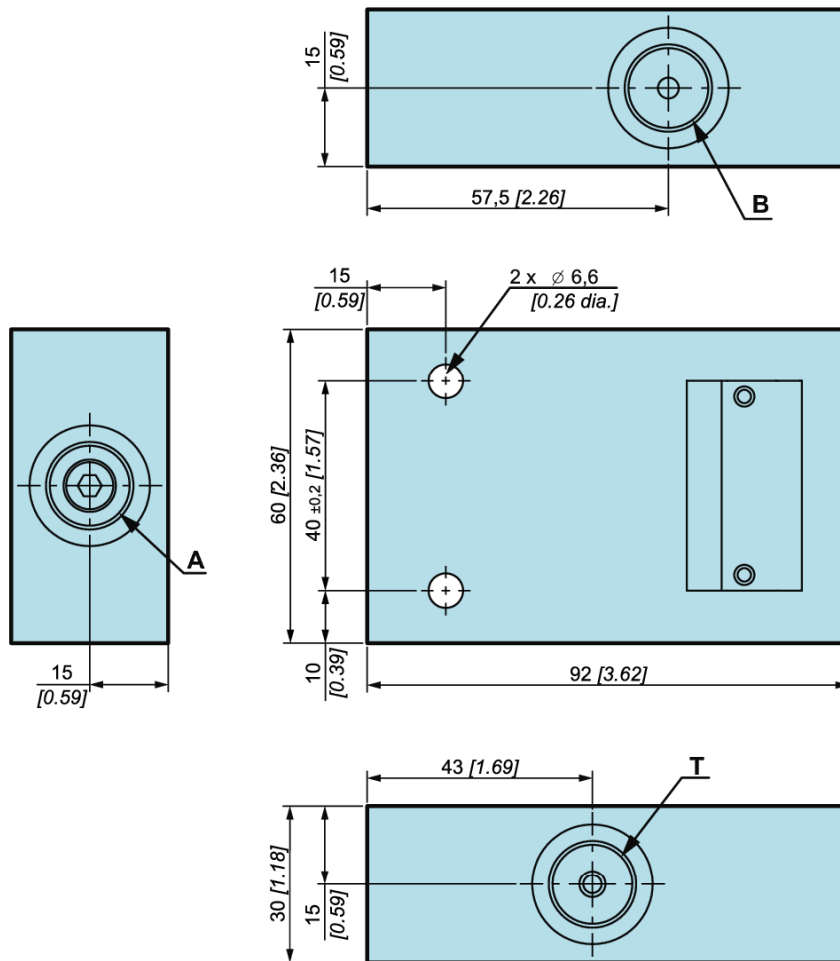
Max. pressure	bar [PSI]	450 bar [6 526 PSI]
Exchange relief valve setting	bar [PSI]	14; 16; 18; 20 [203; 232; 261; 290]
Selector spool switching pressure	bar [PSI]	8,5 bar [123 PSI]
Exchange flow (11 bar [160 PSI] ΔP)	L/min [gal/min]	max.15 [3.96] (ΔP A→T or B→T)
Exchange direction		Forward and/or reverse
Mass	kg [lbs]	1,1 [2.43]

Pressure drop

Example: relief valve set at 20 bar [290 PSI]



Dimensions for piped valve



Hydraulic connections

Port	Function	Connection			Pressure max bar [PSI]
		ISO 9974-1 Type N	ISO 1179-1 Type N	ISO 11926-1	
A	HP/LP connection	M18 x 1.5	G 3/8 BSPP	9/16-18 UNF-SAE	450 [6 527]
B	HP/LP connection				
T	Tank connection				

Model code
