



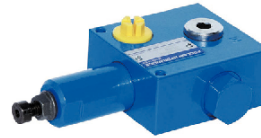
POWER TRANSMISSION VALVES



VE30. EXCHANGE VALVES.

EXCHANGE VALVES VE30

- Compact
- Adjustable
- Heavy duty



Piped valve

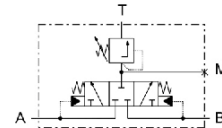


Flanged valve

Operation

Exchange valves are for use in bleeding hot oil from the low pressure side of a hydrostatic transmission circuit. The hot oil can be cooled, filtered or used as a source of oil for flushing other pump and motor case.

Hydraulic symbol

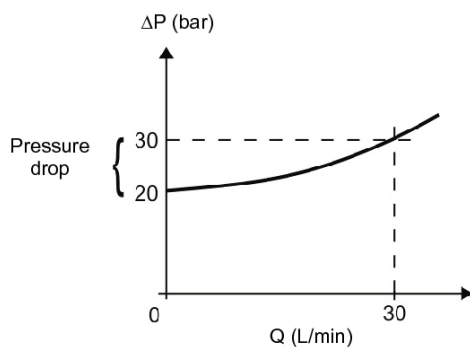


Features

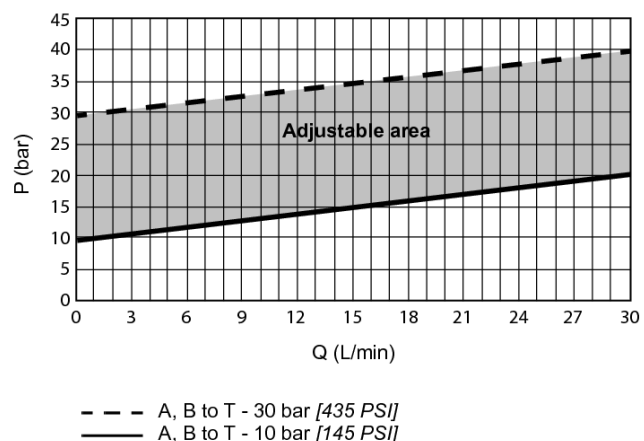
Max. pressure	bar [PSI]	500 bar [7 252 PSI]
Exchange relief valve setting	bar [PSI]	10 to 30 [145 to 435]
Selector spool switching pressure	bar [PSI]	8 [116]
Exchange flow (10 bar [145 PSI] ΔP)	L/min [gal/min]	30 [7.93] (ΔP A \rightarrow T or B \rightarrow T)
Exchange direction		Forward and/or reverse
Mass	kg [lbs]	1,5 [3.31]

Pressure drop

Example: relief valve set at 20 bar [290 PSI]

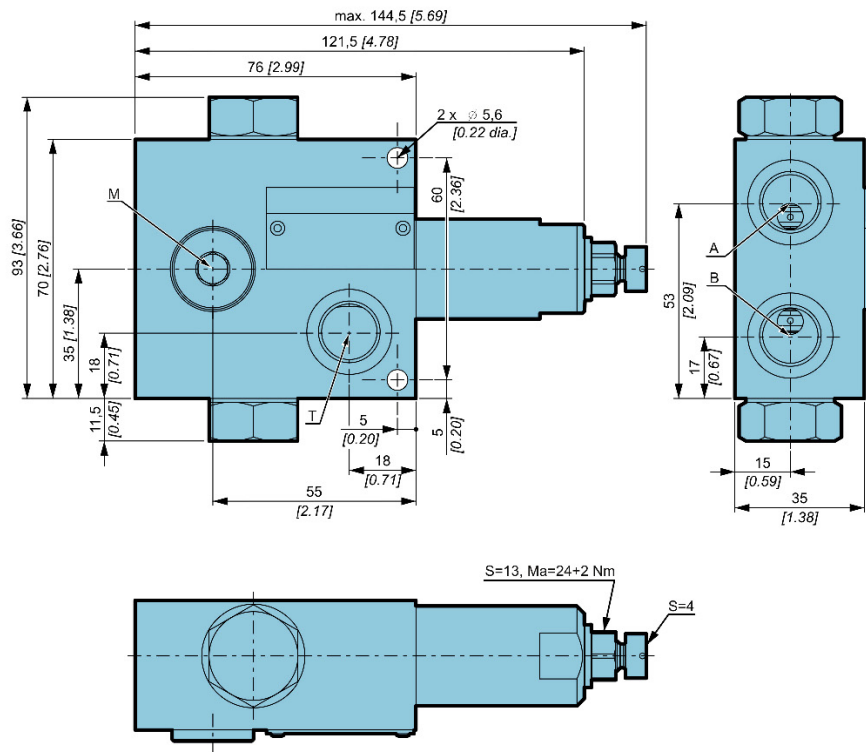


ΔP -Q Performance curves

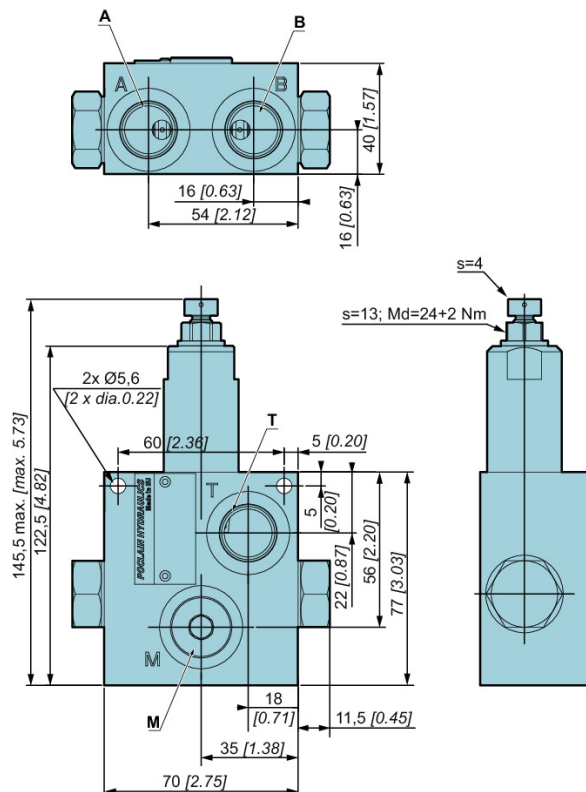


Dimensions for piped valve

Metric connections



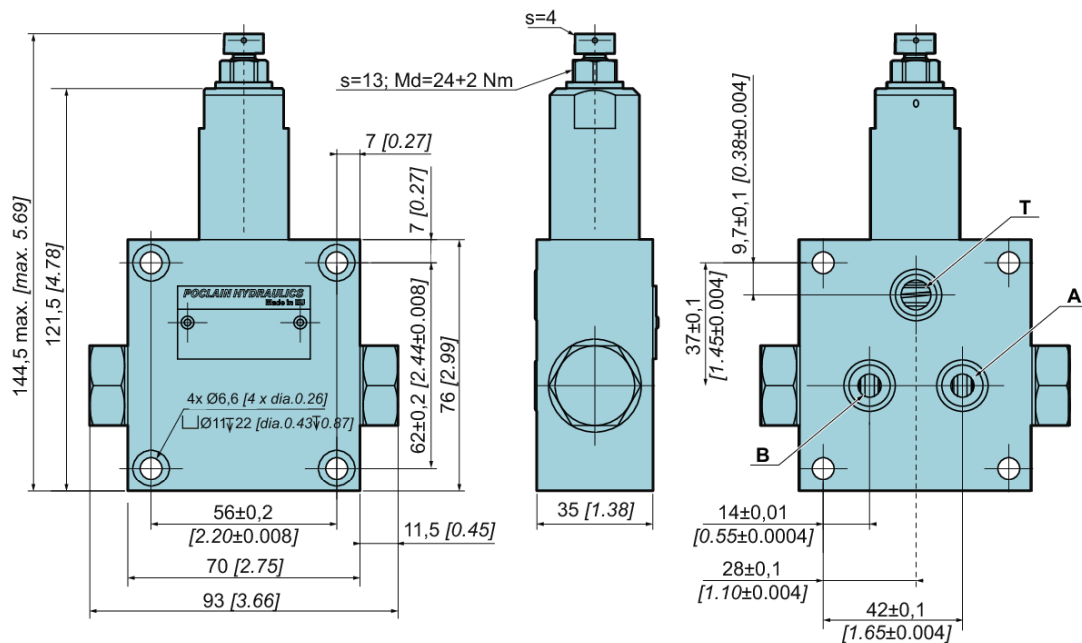
UNF connections



Hydraulic connections

Port	Function	Connection			Pressure max bar [PSI]
		ISO 9974-1 Type N	ISO 1179-1 Type N	ISO 11926-1	
A	HP/LP connection	M18 x 1.5	G3/8 BSPP	3/4-16 UNF-SAE	500 [7 252]
B	HP/LP connection				
M	pressure measurement or service connection				
T	Tank connection				5 [72.5]

Dimensions for flanged valve



Hydraulic connections

Port	Function	Connection	Pressure max bar [PSI]
A	HP/LP connection	Ø 7 mm [dia. 0.27 in]	500 [7 252]
B	HP/LP connection		
T	Tank connection	Ø 9 mm [dia. 0.35 in]	5 [72.5]

