



POWER TRANSMISSION VALVES



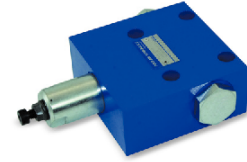
VE60. EXCHANGE VALVES.

EXCHANGE VALVES VE60

- Compact
- Adjustable
- Heavy duty



Piped valve

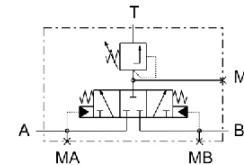


Flanged valve

Operation

Exchange valves are for use in bleeding hot oil from the low pressure side of a hydrostatic transmission circuit. The hot oil can be cooled, filtered or used as a source of oil for flushing other pump and motor case.

Hydraulic symbol



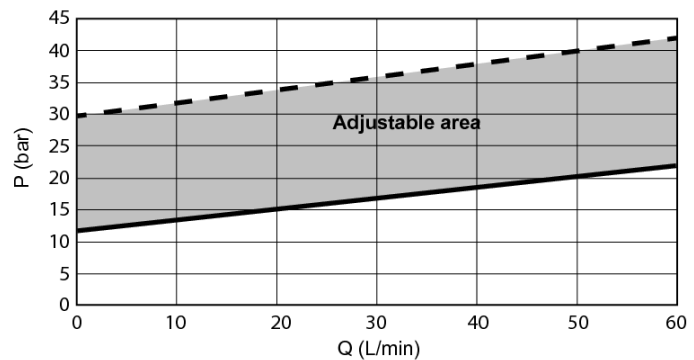
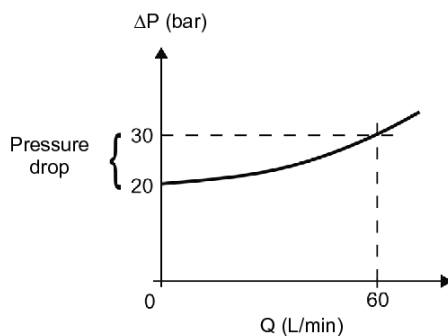
Features

Max. pressure	bar [PSI]	450 bar [6 526 PSI]
Exchange relief valve setting	bar [PSI]	12 to 30 [174 to 435]
Selector spool switching pressure	bar [PSI]	8 [116]
Exchange flow (10 bar [145 PSI] ΔP)	L/min [gal/min]	60 [15.85] (ΔP A \rightarrow T or B \rightarrow T)
Exchange direction		Forward and/or reverse
Mass	kg [lbs]	3,8 [8.38]

Pressure drop

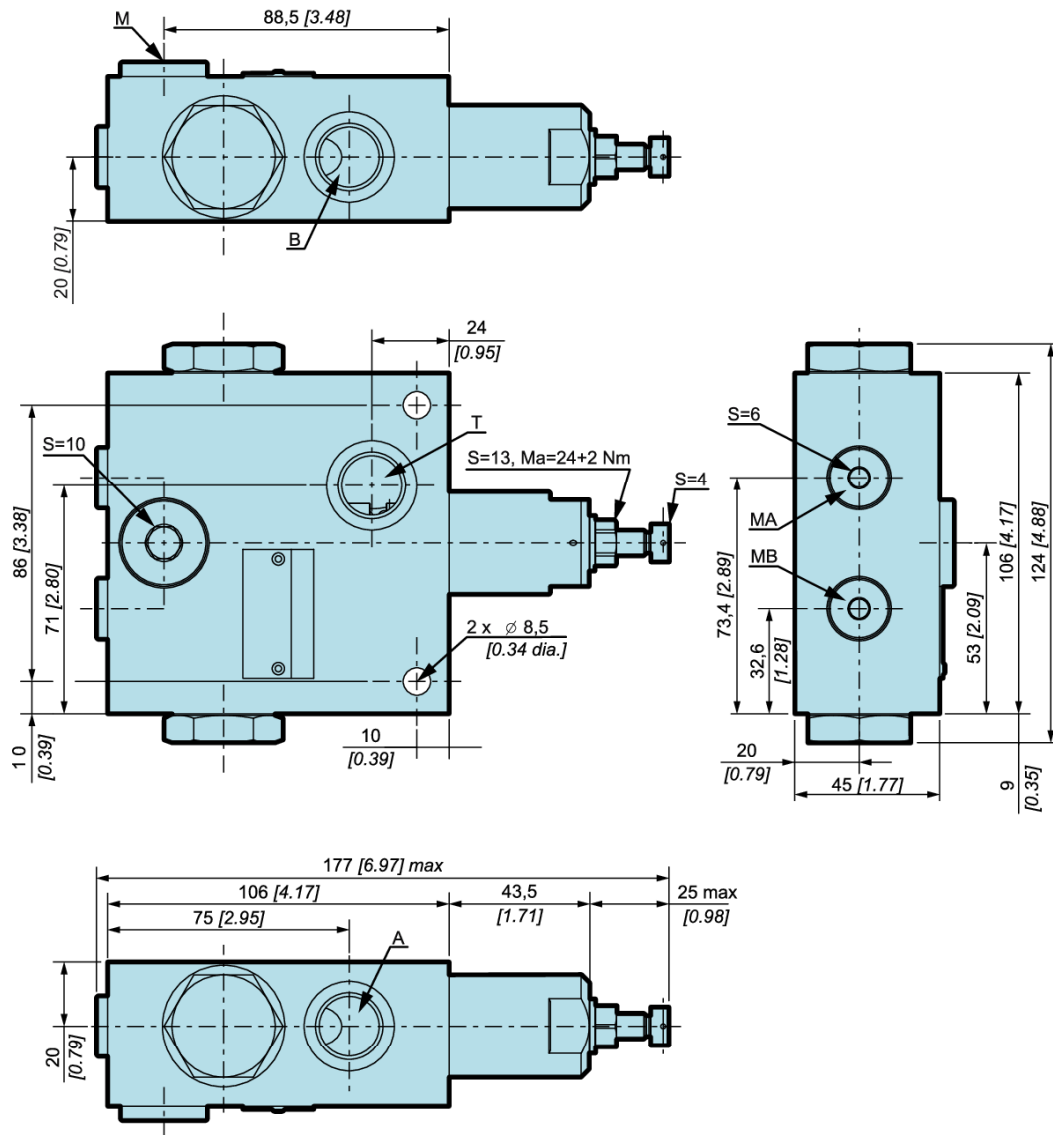
Example: relief valve set at 20 bar [290 PSI]

ΔP -Q Performance curves



--- A, B to T - 30 bar [435 PSI]
 ——— A, B to T - 10 bar [145 PSI]

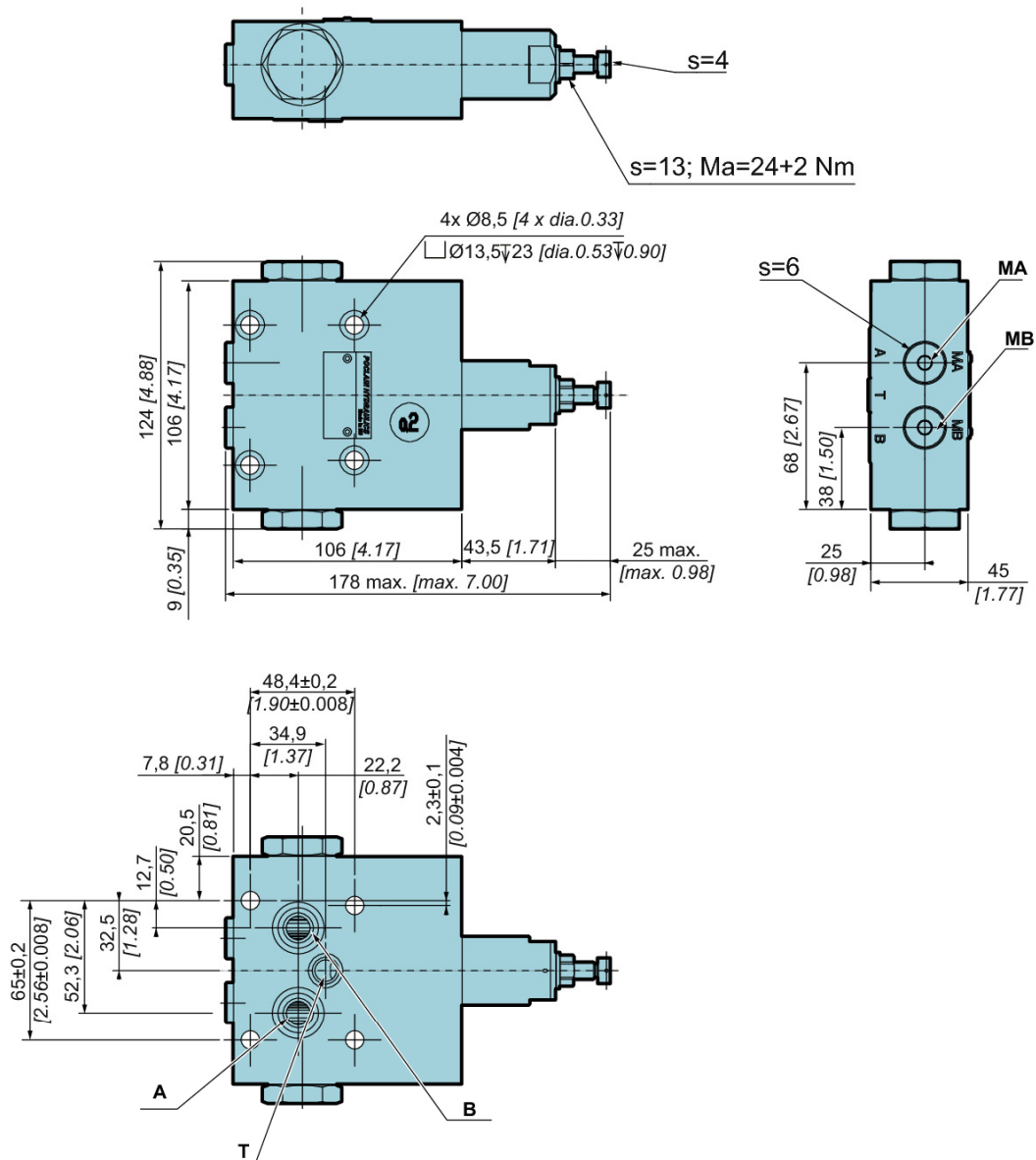
Dimensions for piped valve



Hydraulic connections

Port	Function	Connection			Pressure max bar [PSI]
		ISO 9974-1 Type N	ISO 1179-1 Type N	ISO 11926-1	
A	HP/LP connection	M22 x 1.5	G1/2 BSPP	7/8-14 UNF-SAE	450 [6 527]
B	HP/LP connection				
T	Tank connection				
MA	Pressure measurement(A)	M14 x 1.5	G1/4 BSPP	9/16-18 UNF-SAE	450 [6 527]
MB	Pressure measurement (B)				
M	Pressure measurement or service connection	M22 x 1.5	G1/2 BSPP	7/8-14 UNF-SAE	450 [6 527]

Dimensions for flanged valve



Hydraulic connections

Port	Function	Connection			Pressure max bar [PSI]
		ISO 9974-1 Type N	ISO 1179-1 Type N	ISO 11926-1	
A	HP/LP connection	Ø 14 mm [dia. 0.55 in]	Ø 14 mm [dia. 0.55 in]	Ø 14 mm [dia. 0.55 in]	450 [6 526]
B	HP/LP connection	Ø 14 mm [dia. 0.55 in]	Ø 14 mm [dia. 0.55 in]	Ø 14 mm [dia. 0.55 in]	450 [6 526]
T	Tank connection	Ø 10 mm [dia. 0.55 in]	Ø 10 mm [dia. 0.55 in]	Ø 10 mm [dia. 0.55 in]	5 [72.5]
MA	Pressure measurement (A)	M14 x 1.5	G1/4 BSPP	9/16-18 UNF	450 [6 526]
MB	Pressure measurement (B)				

Model code
